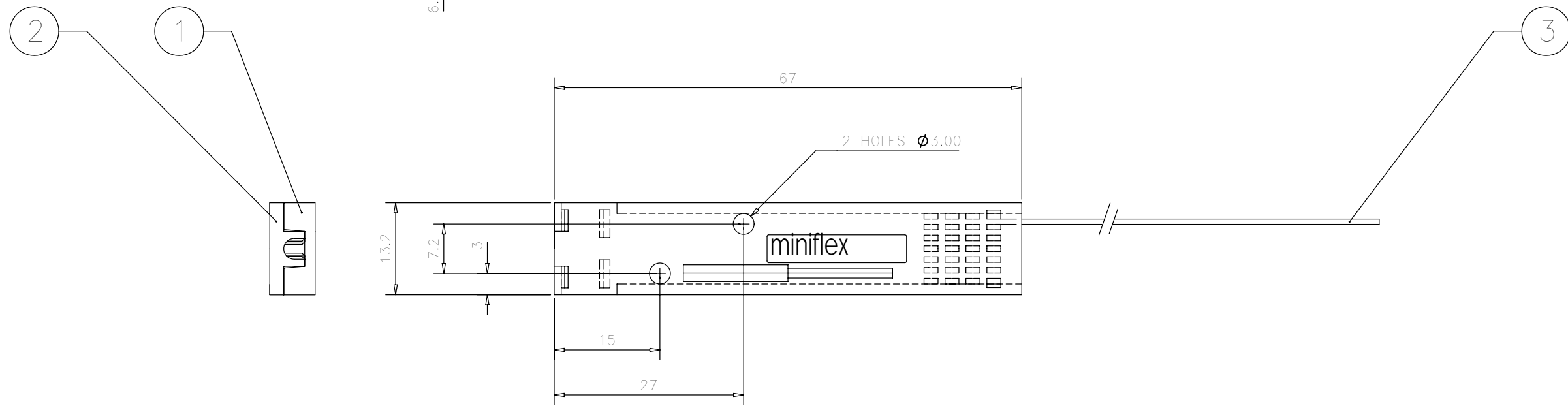


USED ON:



ITEM	DWG No.	DESCRIPTION	No.OFF PER PART NUMBER				
			OFFM-4-1-GREY X14129	OFFM-6-1-GREY X14152	OFFM-8-2-GREY X14130	OFFM-1-12-GREY X14132	OFFM-8-1-GREY X14188
1	X14210	FLAT FIBRE MANIFOLD - PBT 6%.V0	1	1	1	1	1
2	X14246	FLAT FIBRE MANIFOLD LID - PBT 6%.V0	1	1	1	1	1
3	X14247	TUBE - PTFE	4 x 1m	6 x 1m	8 x 2m	12m OIL (120m coil per bag of 10)	8 x 1m
4	X14248	TUBE 2mm O/D 1mm I/D - SILICONE	1 x 30mm	1 x 30mm	1 x 30mm	1 x 30mm	1 x 30mm
5	X14249	TUBE 3mm O/D 2mm I/D - SILICONE	1 x 15mm	1 x 15mm	1 x 15mm	1 x 15mm	1 x 15mm
6	X14250	ADHESIVE TAPE - POLYETHYLENE FOAM	1	1	1	1	1

DO NOT SCALE

C.A.D DO NOT AMEND
SALES DRAWING

TITLE	FLAT FIBRE MANIFOLD ASSEMBLY	MATERIAL	SEE TABLE	THIRD ANGLE PROJECTION	
COPYRIGHT NOTE	miniflex ALL MINIFLEX PRODUCTS ARE PROTECTED BY LAW UNDER THE APPROPRIATE INTELLECTUAL PROPERTY LEGISLATION	FINISH	SEE TABLE	ALL DIMENSIONS IN MILLIMETRES COPYRIGHT 1996	

E	13.05.05	TABLE MOD'D
D	26.05.99	TABLE MOD'D NRC 0070
C	12.08.97	TABLE MOD'D NRC 0058
B	19.08.96	TABLE MOD'D NRC 0055
A	30.07.96	FIRST ISSUE
ISSUE	DATE	CHANGE
DRAWN BH	SCALE: NTS	
CHECKED	DRG. No.	
DATE 30.07.96	X14129	
APPROVED APP		

